

RAPID TRENCH

2818 E. 2nd St., Vancouver WA 98661
 www.rapiddtrench.com • 800-891-6972

TODAY'S DATE:

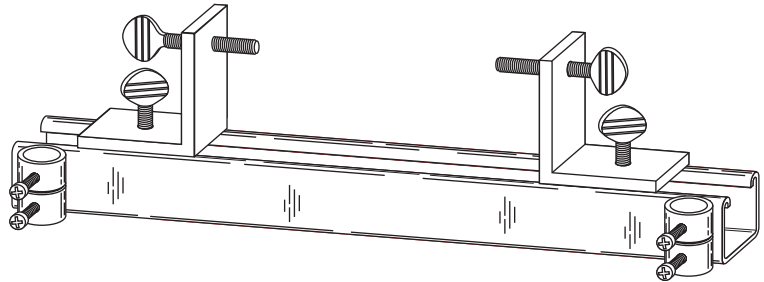
PROJECT DESCRIPTION:

Rapid Trench Installation System C1000 Commercial Series

FUNCTION: Used to facilitate, expedite, and improve the installation of trench drain

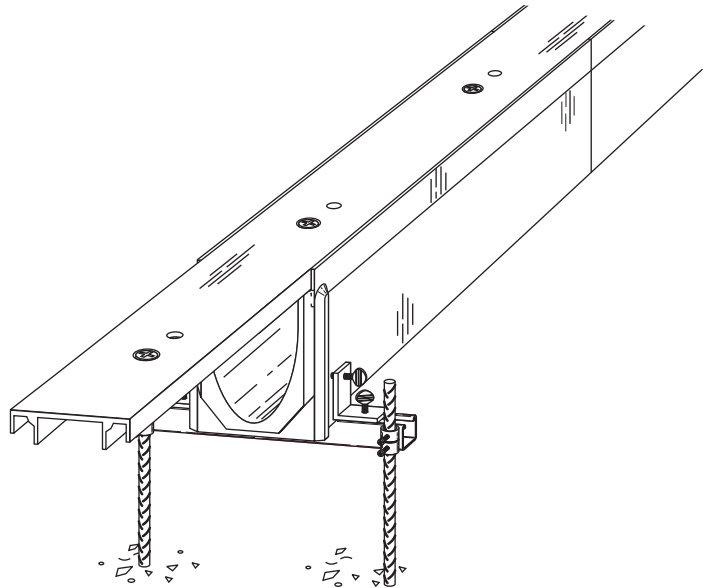
Bracket

- Steel
- Universal macro horizontal adjustment
- Micro horizontal adjustment



Frame

- Rigid steel frame connection to one or more channel sections
- Tongue & Groove connection between channel assemblies



Trench Drain Brand

- ACO
- Jay R Smith
- NDS
- PolyDrain
- Sioux Chief
- Watts
- Zurn
- Other _____

Model No.

Channel Width

- 5"
- 6"
- 8"
- 10"
- 12"
- Other _____

Channel Length

- 0.5 meter
- 1.0 meter
- 80"
- Other _____

Rebar or All-thread size for anchor

- #4 (1/2")
- #5 (5/8")
- Other _____

MODEL C1000